

Alumax ProLine 90



FRAMELESS PIVOT / HINGE

The most highly customized Heavy Glass Enclosures available in the Industry—create a single-door installation or larger configurations with side panels, buttress panels, and return panels. The minimal use of metal framing lends a contemporary, clean look. Choose from hardware in any of our popular Alumax finishes and a variety of towel bar and handle options to complete the package. Alumax Heavy Glass enclosures can accommodate 3/8" or 1/2" glass.

Benefits & Features

- Made of the finest quality brass and stainless steel
- Beveled or square hinge profile
- Standard or adjustable over-close
- High-grip gaskets for positive attachment
- Accommodates both 1/2" and 3/8" glass
- Self-centering

TOWEL BARS, HANDLES & PULL KNOBS



Pull Knob
Single Mount



Pull Knob
Back-to-Back



Handle
Back-to-Back
6" Tubular
8" Tubular



Handle
8" Tubular
Single Mount



Handle & Towel Bar
8"x18" Push/Pull Combo



Towel Bar
Single Mount
18" & 20" Tubular
22" & 24" Tubular
26" & 28" Tubular



Recessed Pull Handle
Solid - 2 1/2" Back to Back
Polished or Brushed Stainless

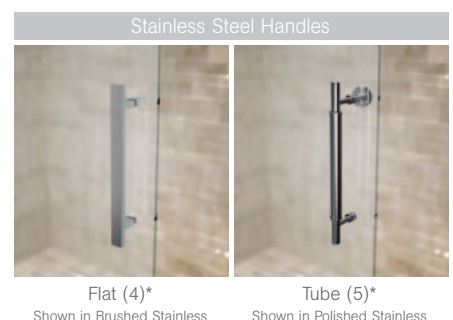
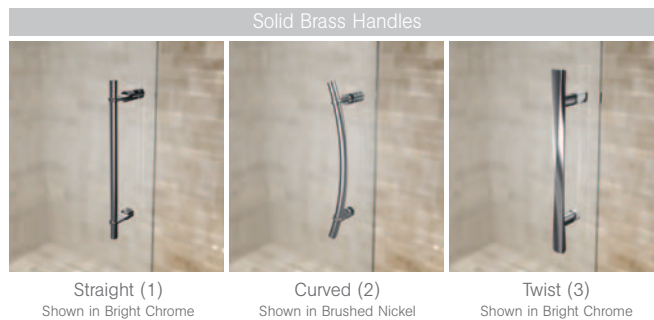


Recessed Pull Handle
Open - 1 1/2" Back to Back
Polished or Brushed Stainless



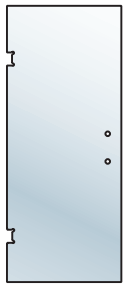
Square Pull - 8"
Back to Back
Polished or Brushed Stainless

Alumax Designer Series HEAVY GLASS HANDLES



*Only Available in Brushed Stainless and Polished Stainless Finishes

HEAVY GLASS DOOR BLANKS



Stock Heavy Glass Door Blanks

3/8" Clear With 2 Holes and 2 Hinge Notches

- 28" x 71-1/2"
- 28" x 75-1/2"
- 28" x 79-1/2"

Standard notch positions are 8" from top and bottom.
Additional crating charges may apply.
Full crate quantity pricing available. Contact your CSR.

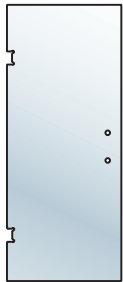


Stock Heavy Glass Door Blanks

3/8" Clear With 2 Holes and Top/Bot Notches

- 28" x 74-1/2"
- 28" x 76-1/2"
- 28" x 80-1/2"

Additional crating charges may apply.
Full crate quantity pricing available. Contact your CSR.



Out of Square Stock Heavy Glass Door Blanks

3/8" Clear With 2 Holes and 2 Hinge Notches

- 28-1/4" x 71-1/2"
- 28-1/4" x 75-1/2"
- 28-1/4" x 79-1/2"

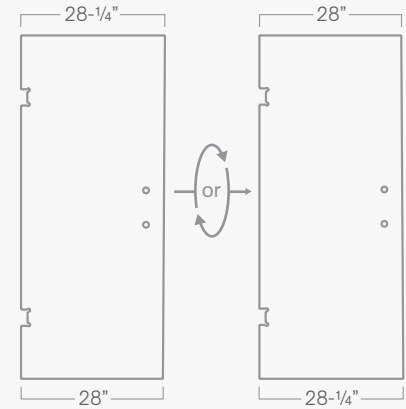
Standard notch positions are 8" from top and bottom.
Additional crating charges may apply.
Full crate quantity pricing available. Contact your CSR.

All Alumax door blanks now feature an updated notch for easier installation.

WORKING WITH OUT OF SQUARE GLASS

Imperfect walls? Alumax offers Out of Square door blanks to simplify your install process.

Out of Square door blanks taper in width from 28 1/4" to 28" to accommodate out of square walls. Use the extra width to close a gap at the top of your door opening, or flip the blank if you need a little more glass at the bottom.



HEAVY GLASS HARDWARE FINISHES

Stainless Steel Finishes



Polished Stainless



Brushed Stainless



Oil-Rubbed Bronze

Standard Finishes



Silver / Chrome



Brushed Nickel



Oil-Rubbed Bronze

Satin and Gold are only offered on select products. Finish availability varies by model.